

Phylogenetic Study of *Mangifera laurina* and its Related Species Using cpDNA *trnL-F* Spacer Markers

FITMAWATI*, ALEX HARTANA

Department of Biology, Faculty of Mathematics and Natural Sciences, Bogor Agricultural University,
Darmaga Campus, Bogor 16680, Indonesia

Received January 30, 2009/Accepted February 25, 2010

Phylogenetic study of cpDNA intergenic spacer *trnL-F* of *Mangifera laurina* and their related species within the genus *Mangifera* in Indonesia was conducted using Rutaceae as the outgroup. This study was to reconstruct phylogenetic relationships and to understand infraspecific relationships within *Mangifera* based on cpDNA *trnL-F* intergenic spacer sequences. The results showed that *Mangifera* sp. Hiku (*mangga hiku*) as the basic cultivar in the clade, and it supported the monophyletic group in *Mangifera*. And phylogenetic construction indicated that *Mangifera* sp. Hiku was the progenitor of *M. laurina* and their related species.

Key words: *Mangifera laurina* var. Hiku, phylogentic, cpDNA, *trnL-F* intergenic spacer, progenitor

INTRODUCTION

Mangoes (*Mangifera*) have a high number of species. They are distributed in tropical and subtropical areas. One of diversity centers of mangoes in the world is Indonesia. The latest revision of mangoes was described 68 species of mangoes (Kostermans & Bompard 1993). However, the delimitation of *M. laurina* and its related species i.e. *M. aplanata*, *M. indica*, and *M. rubropetala* was still unclear (Kochumen 1996). Mangoes have allotetraploid chromosomes ($2n=4x=40$) and polyembryonic seed (Litz 2004). And interspecific hybridization was commonly occurred among *M. laurina* and its related species. Therefore, their morphological plasticity was high and their species delimitations were various. Fruit morphology of *Mangifera* sp. Hiku (*mangga hiku*) is similar to *M. indica* but the characters were very sour, roughly fibrous, and the carpel is whitish yellow. The morphology characters of *mangga hiku* were more primitive than that of other Indonesian mangoes.

Mango classification based on molecular markers was scarcely studied and there was limited information available on molecular phylogeny of mangoes. However, the molecular phylogeny is important for classifying their taxonomic status, maintaining and conserving their genetic diversity.

Some phylogeny studies of plants based on cp DNA markers were reported, such as in *Morus* (Weiguo *et al.* 2005) and *Cucumis* (Chung *et al.* 2006; Chung *et al.* 2007). The cpDNA markers provided data for reconstructing the phylogeny among families of flowering plants (Kajita 1998). The sequences of *trnL-F* region of cpDNA are frequently

used on the phylogenetic studies at generic and specific levels (Alejanro *et al.* 2005; Barfuss *et al.* 2005; Shaw *et al.* 2005). The cpDNA markers are commonly used in the phylogenetic studies because they are easily isolated, purified, characterized and cloned. The *trnL-F* region of cpDNA is conservative with low rate evolution (Bayer *et al.* 2000).

The *trnL-F* intergenic spacer of cpDNA is non coding characters, and this region is more variable than the coding regions. Some studies on non coding region of cpDNA showed higher variations and more often mutation than that of coding regions (Baldwin 1995). Accordingly, the *trnL-F* intergenic spacer is a suitable parameter to investigate evolution relationship on the lower taxa (Bayer *et al.* 2000). Therefore this study was analyzed and reconstructed molecular phylogeny of *M. laurina* and its related species based on cpDNA *trnL-F* transgenic spacer sequences.

MATERIALS AND METHODS

Leaf samples of six mangoes were collected from six areas in Indonesia namely *M. laurina* Betul (*mangga betul*) and *M. aplanata* (*mangga depeh*) from West Kalimantan, *M. indica* (*mangga golek*), and *M. indica* (*mangga kiyal*) from East Java, *M. laurina* (*mangga dodol ternate*) from Maluku, and *Mangifera* sp. Hiku (*mangga hiku*) from Sulawesi. And three species of Rutaceae were chosen as the outgroup.

DNA Isolation. DNA was extracted using CTAB method (Doyle & Doyle 1987) with modifications by soaking in water bath at 65 °C over night. *trnL-F* intergenic spacer was amplified using E primer (GGTTCAAGTCCCTC TATCCC) and F primer (ATTTGAAGTGGTGACACGAG) (Small *et al.* 2005). Amplification of *trnL-F* intergenic DNA spacer region used PCR machine (GeneAmp PCR system 2400 Perkin Elmer) with 35 cycles. The pre PCR was set up

*Current address: Department of Biology, Faculty of Mathematics and Natural Science, Riau University, Jalan H.R. Soebrantas 12.5 Km, Simpang Baru, Panam-Pekanbaru 28293, Riau, Indonesia

*Corresponding author. Phone/Fax: +62-761-63273,
E-mail: fitmawati2008@yahoo.com

at 95 °C for 4 minutes. Denaturation was set up at 94 °C for 30 seconds, annealing was at 52 °C 30 seconds, and extension was at 72 °C for 1 minute. And it was followed by post PCR at 72 °C for 7 minutes.

DNA Sequencing and Phylogenetic Analysis. PCR products were sequenced using ABI 377 automated DNA sequencer (Applied Biosystems) at First BASE Laboratories, Malaysia. The sequences were edited using BioEdit 7.0.0.1 program, and then compared using BLASTN with DNA sequences of *Guarea glabra*, *Citrus sinensis*, *Citrus medica* from GenBank database (<http://www.ncbi.nlm.nih.gov/BLAST/>). Analysis of maximum parsimony and likelihood was done using PAUP version 4.0b8 with 1000 times bootstrap(Swofford 2000).

RESULTS

The aligned length of *trnL-F* DNA spacer of six *Mangifera* species and three outgroup species was 433

nucleotides. The sequence was consist of a total of 357 bp constant characters, 7 bp non informative parsimony character, and 69 bp parsimony informative character. The average ratio of mango *trnL-F* DNA spacer nucleotides of Adenine (A), Thymine (T), Cytosine (C) and Guanine (G) was 0.3014, 0.3316, 0.206, and 0.1608 respectively; and the G+C content was 0.3668 indicating that the region was AT rich (Tabel 1).

The sequence region of cpDNA *trnL-F* *M. laurina* and its related species was descended from the sequence of Anacardiaceae, it had 91 and 94% similarity with *Rhus caryophila* and *Pistacio weinmaniifolia* respectively. Phylogenetic tree construction based on *trnL-F* region had consistency Index Value (CI) of 0.9625 and resistance index (RI) of 0.99 (Figure 1), while homoplasmy index (HI) was 0.0375. This value showed that homoplasmy was occurred only 3.75%. Grouping confirmation of *M. laurina*, and their related species of 11 members of Rutaceae based on the size of *trnL-F* region of mangoes showed similarity

Tabel 1. Alignment of *trnL-F* DNA spacer sequences of six mangoes and their Outgroup

CLUSTAL W(1.60) multiple sequence alignment

Mbetul	-TTTAACTCCCTAACGATTTATCCTA-----TGTTAGCGGTTCCAA
Depeh	-TTTAACTCCCTAACGATTTATCCTA-----TGTTAGCGGTTCCAA
Golek	-TTTAACTCCCTAACGATTTATCCTA-----TGTTAGCGGTTCCAA
Hiku	--TTTACTCCCTAACGATTTATCCTA-----TGTTAGCGGTTCC-A
Dternate	-TTTAACTCCCTAACGATTTATCCTA-----TGTTAGCGGTTCCAA
Kiyal	-TTTAACTCCCTAACGATTTATCCTA-----TGTTAGCGGTTCCAA
C_macrop	ATTTGACTCTCTAACCATTTCTCCTACCCTCTCTTTTCTCTTTTGTAAATGGTTCAAAA
G_macrop	ATTTGACTCTCTAACCATTTCTCCTACCCTCTCTTTTCTCTTTTGTAAATGGTTCAAAA
C_diverg	ATTTGACTCTCTAACCATTTCTCCTACCCTCTCTTTTCTCTTTTGTAAATGGTTCAAAA
C_toment	ATTTGACTCTCTAACCATTTCTCCTACCCTCTCTTTTCTCTTTTGTAAATGGTTCAAAA
C_surant	-----TTTTTTTGTAGTGGTTCAAAA
C_limon	----ACTCCCTAACCATTTCTCCTACCCTCTC-----CTTTTTTGTAGTGGTTCAAAA
G_guidon	ATTTGACTCTCTAACCATTTCTCCTACCCTCTCTTTTCTCTTTTGTAAATGGTTCAAAA
G_glabra	ATTTGACTCTCTAACCATTTATCCTACCCTCTCTTTTCTCTTTTGTAAATGGTTCAAAA
C_sinens	-----TTTTTTTGTAGTGGTTCAAAA
C_macrop	ATTTGACTCTCTAACCATTTCTCCTACCCTCTCTTTTCTCTTTTGTAAATGGTTCAAAA
M_panicu	----ACTCCCTAACCATTTCTCCTAACCT-TC--TCCTTTTTTGTAGTGGTTCAAAA
C_medica	-----TTTTTTTGTAGTGGTTCAAAA

Mbetul	TTTCGTTATGTTTCTCATTTCATCCTACTCTTTTCCATTTACAAAACGTATCCGAGCAGAA-
Depeh	TTTCGTTATGTTTCTCATTTCATCCTACTCTTTTCCATTTACAAAACGTATCCGAGCAGAA-
Golek	TTTCGTTATGTTTCTCATTTCATCCTACTCTTTTCCATTTACAAAACGTATCCGAGCAGAA-
Hiku	TTTCGTTATGTTTCTCATTTCATCCTACTCTTTTCCATTTACAAAACGTATCCGAGCAGAA-
Dternate	TTTCGTTATGTTTCTCATTTCATCCTACTCTTTTCCATTTACAAAACGTATCCGAGCAGAA-
Kiyal	TTTCGTTATGTTTCTCATTTCATCCTACTCTTTTCCATTTACAAAACGTATCCGAGCAGAA-
C_macrop	ATTCGTTAGGTTTCTCATTTCATCCTACTCTTTTCCATTTACAAAACGTATCTGAGCAGAAT
G_macrop	ATTCGTTAGGTTTCTCATTTCATCCTACTCTTTTCCATTTACAAAACGTATCTGAGCAGAAT
C_diverg	ATTCGTTAGGTTTCTCATTTCATCCTACTCTTTTCCATTTACAAAACGTATCTGAGCAGAAT
C_toment	ATTCGTTAGGTTTCTCATTTCATCCTACTCTTTTCCATTTACAAAACGTATCTGAGCAGAAT
C_surant	AGTCGGTAGGTTTCTCATCTATCCTACTCTTTTCCATTTCCAAAAGGATATGGCAGAAAT
C_limon	AGTCGGTAGGTTTCTCATCTATCCTACTCTTTTCCATTTCCAAAAGGATATGGCAGAAAT
G_guidon	ATTCGTTAGGTTTCTCATTTCATCCTACTCTTTTCCATTTACAAAACGTATCTGAGCAGAAT
G_glabra	ATTCGTTAGGTTTCTCATTTCATCCTACTCTTTTCCATTTACAAAACGTATCTGAGCAGAAT
C_sinens	AGTCGGTAGGTTTCTCATCTATCCTACTCTTTTCCATTTCCAAAAGGATATGGCAGAAAT
C_macrop	ATTCGTTAGGTTTCTCATTTCATCCTACTCTTTTCCATTTACAAAACGTATCTGAGCAGAAT
M_panicu	AGTCGGTAGGTTTCTCATCTATCCTACTCTTTTCCATTTCCAAAAGGATATGGCAGAAAT
C_medica	AGTCGGTAGGTTTCTCATCTATCCTACTCTTTTCCATTTCCAAAAGGATATGGCAGAAAT

Mbetul	TTTTTCTCTTATCATATACAAGTCGTGTGGTATATAGGATACACGTAGAAAATGAACACT
Depeh	TTTTTCTCTTATCATATACAAGTCGTGTGGTATATAGGATACACGTAGAAAATGAACACT
Golek	TTTTTCTCTTATCATATACAAGTCGTGTGGTATATAGGATACACGTAGAAAATGAACACT
Hiku	TTTTTCTCTTATCATATACAAGTCGTGTGGTATATAGGATACACGTAGAAAATGAACACT
Dternate	TTTTTCTCTTATCATATACAAGTCGTGTGGTATATAGGATACACGTAGAAAATGAACACT
Kiyal	TTTTTCTCTTATCATATACAAGTCGTGTGGTATATAGGATACACGTAGAAAATGAACACT

Tabel 1. Continue

<i>C_macrop</i>	TTTTTCTCTTATC----ACCAGTCGTGTTATATATGATAGACGTACAAATGAACACC
<i>G_macrop</i>	TTTTTCTCTTATC----ACCAGTCGTGTTATATATGATAGACGTACAAATGAACACC
<i>C_diverg</i>	TTTTTCTCTTATC----ACCAGTCGTGTTATATATGATAGACGTACAAATGAACACC
<i>C_toment</i>	TTTTTCTCTTATC----ACCAGTCGTGTTATATATGATAGACGTACAAATGAACACC
<i>C_surant</i>	TTTTTCTCTTATC----ACAAGCCGTATGGTCTATACGATATATGTAGAAATGAACACC
<i>C_limon</i>	TTTTTCTCTTATC----ACAAGCCGTATGGTCTATACGATATATGTAGAAATGAACACC
<i>G_guidon</i>	TTTTTCTCTTATC----ACCAGTCGTGTTATATATGATAGACGTACAAATGAACACC
<i>G_glabra</i>	TTTTTCTCTTATC----ACCAGTCGTGTTATATATGATAGACGTACAAATGAACACC
<i>C_sinens</i>	TTTTTCTCTTATC----ACAAGCCGTATGGTCTATACGATATATGTAGAAATGAACACC
<i>C_macrop</i>	TTTTTCTCTTATC----ACCAGTCGTGTTATATATGATAGACGTACAAATGAACACC
<i>M_panicu</i>	TTTTTCTCTTATC----ACAAGCCGTATGGTCTATACGATATATGTAGAAATGAACACC
<i>C_medica</i>	TTTTTCTCTTATC----ACAAGCCGTATGGTCTATACGATATATGTAGAAATGAACACC
<i>Mbetul</i>	TTGGAGCAGGGAATCTCCATGTGAATGATTACAAATCCATCTCATTGCTCATACTGAAAC
<i>Depeh</i>	TTGGAGCAGGGAATCTCCATGTGAATGATTACAAATCCATCTCATTGCTCATACTGAAAC
<i>Golek</i>	TTGGAGCAGGGAATCTCCATGTGAATGATTACAAATCCATCTCATTGCTCATACTGAAAC
<i>Hiku</i>	TTGGAGCAGGGAATCTCCATGTGAATGATTACAAATCCATCTCATTGCTCATACTGAAAC
<i>Dternate</i>	TTGGAGCAGGGAATCTCCATGTGAATGATTACAAATCCATCTCATTGCTCATACTGAAAC
<i>Kiyal</i>	TTGGAGCAGGGAATCTCCATGTGAATGATTACAAATCCATCTCATTGCTCATACTGAAAC
<i>C_macrop</i>	CTTGAGCAAGGAATCCCTATTGAATGATTACAAATCCATATCATTGCTCATACTGAAAC
<i>G_macrop</i>	CTTGAGCAAGGAATCCCTATTGAATGATTACAAATCCATATCATTGCTCATACTGAAAC
<i>C_diverg</i>	CTTGAGCAAGGAATCCCTATTGAATGATTACAAATCCATATCATTGCTCATACTGAAAC
<i>C_toment</i>	CTTGAGCAAGGAATCCCTATTGAATGATTACAAATCCATATCATTGCTCATACTGAAAC
<i>C_surant</i>	TTTGAGCAAGGAATCCCCGTTTAAATGATTCCCAATCCATATTATTGCTCATACTGAAAC
<i>C_limon</i>	TTTGAGCAAGGAATCCCCGTTTAAATGATTCCCAATCCATATTATTGCTCATACTGAAAC
<i>G_guidon</i>	CTTGAGCAAGGAATCCCCATTGAATGATTACAAATCCATATCATTGCTCATACTGAAAC
<i>G_glabra</i>	CTTGAGCAAGGAATCCCCATTGAATGATTACAAATCCATATCATTGCTCATACTGAAAC
<i>C_sinens</i>	TTTGAGCAAGGAATCCCCGTTTAAATGATTCCCAATCCATATTATTGCTCATACTGAAAC
<i>C_macrop</i>	CTTGAGCAAGGAATCCCTATTGAATGATTACAAATCCATATCATTGCTCATACTGAAAC
<i>M_panicu</i>	TTTGAGCAAGGAATCCCCGTTTAAATGATTCCCAATCCATATTATTGCTCATACTGAAAC
<i>C_medica</i>	TTTGAGCAAGGAATCCCCGTTTAAATGATTCCCAATCCATATTATTGCTCATACTGAAAC
<i>Mbetul</i>	TTACAAAGTCTTCTTTTTGAATATTCAGAAATGCAATTTCCCGTCCAAGACTTTTAATA
<i>Depeh</i>	TTACAAAGTCTTCTTTTTGAATATTCAGAAATGCAATTTCCCGTCCAAGACTTTTAATA
<i>Golek</i>	TTACAAAGTCTTCTTTTTGAATATTCAGAAATGCAATTTCCCGTCCAAGACTTTTAATA
<i>Hiku</i>	TTACAAAGTCTTCTTTTTGAATATTCAGAAATGCAATTTCCCGTCCAAGACTTTTAATA
<i>Dternate</i>	TTACAAAGTCTTCTTTTTGAATATTCAGAAATGCAATTTCCCGTCCAAGACTTTTAATA
<i>Kiyal</i>	TTACAAAGTCTTCTTTTTGAATATTCAGAAATGCAATTTCCCGTCCAAGACTTTTAATA
<i>C_macrop</i>	TTACAAAGTCTTCTTTTTGAAGATTCAGAAATGAAATTTCCCGTCCAAGACTTTGAATA
<i>G_macrop</i>	TTACAAAGTCTTCTTTTTGAAGATTCAGAAATGAAATTTCCCGTCCAAGACTTTGAATA
<i>C_diverg</i>	TTACAAAGTCTTCTTTTTGAAGATTCAGAAATGAAATTTCCCGTCCAAGACTTTGAATA
<i>C_toment</i>	TTACAAAGTCTTCTTTTTGAAGATTCAGAAATGAAATTTCCCGTCCAAGACTTTGAATA
<i>C_surant</i>	TTACAAAGTCTTCTTTTTGATGATTCAGAAATGAAATTTCCCGTCCAAGACTTTGAATA
<i>C_limon</i>	TTACAAAGTCTTCTTTTTGATGATTCAGAAATGAAATTTCCCGTCCAAGACTTTGAATA
<i>G_guidon</i>	TTACAAAGTCTTCTTTTTGAAGATTCAGAAATGAAATTTCCCGTCCAAGACTTTGAATA
<i>G_glabra</i>	TTACAAAGTCTTCTTTTTGAAGATTCAGAAATGAAATTTCCCGTCCAAGACTTTGAATA
<i>C_sinens</i>	TTACAAAGTCTTCTTTTTGATGATTCAGAAATGAAATTTCCCGTCCAAGACTTTGAATA
<i>C_macrop</i>	TTACAAAGTCTTCTTTTTGAAGATTCAGAAATGAAATTTCCCGTCCAAGACTTTGAATA
<i>M_panicu</i>	TTACAAAGTCTTCTTTTTGATGATTCAGAAATGAAATTTCCCGTCCAAGACTTTGAATA
<i>C_medica</i>	TTACAAAGTCTTCTTTTTGAAGATTCAGAAATGAAATTTCCCGTCCAAGACTTTGAATA
<i>Mbetul</i>	CTGAATTGCGTCTTTTTAAATTGACATCGACCCCAACCCATCTAGTAAAAATGAAAATGATG
<i>Depeh</i>	CTGAATTGCGTCTTTTTAAATTGACATCGACCCCAACCCATCTAGTAAAAATGAAAATGATG
<i>Golek</i>	CTGAATTGCGTCTTTTTAAATTGACATCGACCCCAACCCATCTAGTAAAAATGAAAATGATG
<i>Hiku</i>	CTGAATTGCGTCTTTTTAAATTGACATCGACCCCAACCCATCTAGTAAAAATGAAAATGATG
<i>Dternate</i>	CTGAATTGCGTCTTTTTAAATTGACATCGACCCCAACCCATCTAGTAAAAATGAAAATGATG
<i>Kiyal</i>	CTGAATTGCGTCTTTTTAAATTGACATCGACCCCAACCCATCTAGTAAAAATGAAAATGATG
<i>C_macrop</i>	CTTTTTTT-GTCTTTTTAAATTGACATAGACCCCAAGTCATCTAGTAAAAATGAGGATGCTG
<i>G_macrop</i>	CTTTTTTT-GTCTTTTTAAATTGACATAGACCCCAAGTCATCTAGTAAAAATGAGGATGCTG
<i>C_diverg</i>	CTTTTTTT-GTCTTTTTAAATTGACATAGACCCCAAGTCATCTAGTAAAAATGAGGATGCTG
<i>C_toment</i>	CTTTTTTT-GTCTTTTTAAATTGACATAGACCCCAAGTCATCTAGTAAAAATGAGGATGCTG
<i>C_surant</i>	-----
<i>C_limon</i>	CCTGTTTA----TTTTTAAATTGACATAGACCCCAAGTCATCTAGTAAAAATGAGGATGCTG
<i>G_guidon</i>	CTTTTTTT-GTCTTTTTAAATTGACATAGACCCCAAGTCATCTAGTAAAAATGAGGATGCTG
<i>G_glabra</i>	CTTTTTTTGTCTTTTTTAAATTGACATAGACCCCAAGTCATCTAGTAAAAATGAGGATGCTG
<i>C_sinens</i>	-----
<i>C_macrop</i>	CTTTTTTT-GTCTTTTTTAAATTGACATAGACCCCAAGTCATCTAGTAAAAATGAGGATGCTG
<i>M_panicu</i>	CC-----TTTTTAAATTGACATAGACCCCAAGTCATCTAGTAAAAATGAGGATGCTG
<i>C_medica</i>	-----

Tabel 1. Continue

Mbetul	CGTCGGTAATGGTCGGGATAGCTCAGCTGGTACAGCAGAGGACTGAAAATCCTCGTGTCA
Depeh	CGTCGGTAATGGTCGGGATAGCTCAGCTGGTACAGCAGAGGACTGAAAATCCTCGTGTCA
Golek	CGTCGGTAATGGTCGGGATAGCTCAGCTGGTACAGCAGAGGACTGAAAATCCTCGTGTCA
Hiku	CGTCGGTAATGGTCGGGATAGCTCAGCTGGTACAGCAGAGGACTGAAAATCCTCGTGTCA
Dternate	CGTCGGTAATGGTCGGGATAGCTCAGCTGGTACAGCAGAGGACTGAAAATCCTCGTGTCA
Kiyal	CGTCGGTAATGGTCGGGATAGCTCAGCTGGTACAGCAGAGGACTGAAAATCCTCGTGTCA
C_macrop	TGTTGGGAATGGTCGGGATAGCTCAGCTGGTACAGCAG-----
G_macrop	TGTTGGGAATGGTCGGGATAGCTCAGCTGGTACAGCAG-----
C_diverg	TGTTGGGAATGGTCGGGATAGCTCAGCTGGTACAGCAG-----
C_toment	TGTTGGGAATGGTCGGGATAGCTCAGCTGGTACAGCAG-----
C_aurant	-----
C_limon	TGTCGGAAATGGTCGGGATAGCTCAGCT-----
G_guidon	TGTTGGGAATGGTCGGGATAGCTCAGCTGGTACAGCAG-----
G_glabra	TGTTGGGAATGGTCGGGATAGCTCAGCTGGTACAGCAG-----
C_sinens	-----
C_macrop	TGTTGGGAATGGTCGGGATAGCTCAGCTGGTACAGCAG-----
M_panicu	TGTCGGAAATGGTCGGGATAGCTCAGCT-----
C_medica	-----

Mbetul	CCAGTTCAAAAAA
Depeh	GCAGTTCAAATAA
Golek	CCAGTTCAAATAA
Hiku	CCAGTTCAAATAA
Dternate	CCARTTCAAAAAA
Kiyal	WCAGTTMAAAAAA
C_macrop	-----
G_macrop	-----
C_diverg	-----
C_toment	-----
C_aurant	-----
C_limon	-----
G_guidon	-----
G_glabra	-----
C_sinens	-----
C_macrop	-----
M_panicu	-----
C_medica	-----

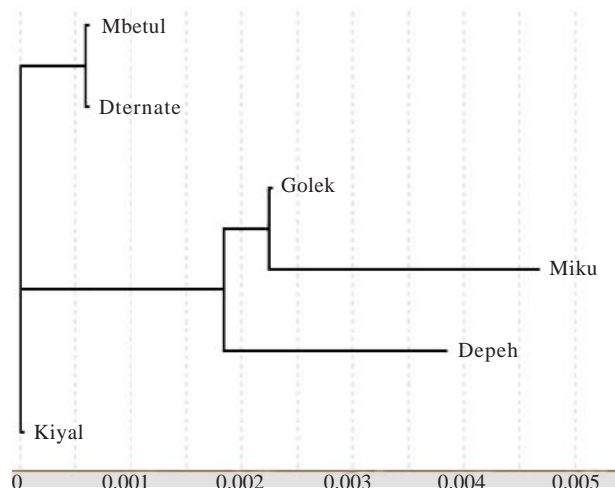


Figure 2. Cladogram of six accession of mangoes based on *trnL-F* markers with Neighbor Joining method. Mbetul: *Mangifera laurina* cv. Betul, *M. indica* cv. Golek, Depeh: *M. aplanata*, Dternate: *M. laurina* cv. dodol ternate, *M. indica* cv. Kiyal, and *M.laurina* cv. Hiku.

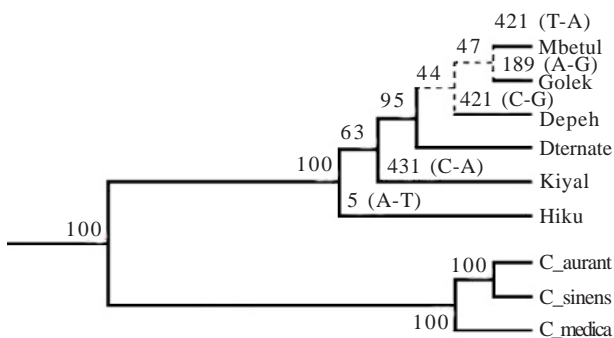


Figure 1. Cladogram of six accession of mangoes and outgroup based on *trnL-F* markers. Mbetul: *Mangifera laurina* cv. Betul; *M. indica* cv. Golek, Depeh: *M. aplanata*, Dternate: *M. laurina* cv. dodol ternate, *M. indica* cv. Kiyal; and *M.laurina* cv. Hiku.

with Rutaceae. *Mangga dodol* ternate (*M. laurina*) from Ternate and *mangga kiyal* from East Java were located at the position of between *mangga hiku* and *mangga betul*. The second clade was occupied by *Chisocheon* and *Guerea*, while the third group by *Citrus*, with bootstrap values 100%.

The phylogenetic tree performed three branches of *M. laurina* and their related species (Figure 2). *Mangifera* group was monophyletic or descended from the same

common ancestor. *Mangga hiku* (*Mangifera* sp.) from South East Sulawesi was located at the lowest of the clade and separated from the other species.

While *mangga dodol* ternate (*M. laurina*) from Ternate and *mangga kiyal* from East Java were located at the position of between *mangga hiku* and *mangga betul*. The second clade was occupied by *Chisocheon* and *Guerea*, while the third group by *Citrus*, with 100% bootstrap values.

DISCUSSION

Gaps within cpDNA occurred due to insertion and deletion process. Deletion of nucleotide on position number of 2 and 59, and insertion of nucleotide on nucleotide number 5 and 431 (a→t) occurred in *mangga hiku* as an accession. While in *mangga depoh* (*M. aplanata*) accession, insertion occurred on nucleotide of 421 (c→g) and 431 (a→t) and in *mangga golek* (*M. indica*) accession on nucleotide of 431 (a→t). Mutation rate of

cpDNA sequence among and within species of *M. laurina* is very low (<1%). Mutation in nucleotide levels can be used to reconstruct a phylogenetic tree. Insertion and deletion phenomena in *mangga hiku* (*M. laurina*) support formation of phylogenetic branching within the ingroup species.

It was found that cpDNA nucleotide of *mangga hiku* was changed from Adenine to Thymine. While the other five species of *Mangifera* sp. were separated each other because of their base was changed i.e. in *mangga betul* (*M. laurina*), nucleotide 421 of cpDNA, Thymine, was altered by Adenine, in *mangga golek* (*M. indica*) nucleotide 189 of cpDNA, Adenine, was altered by Guanine, and in *mangga depeh* (*M. aplanata*) nucleotide 412 of cpDNA, Adenine, was altered by Thymine.

Sequence tracing of cpDNA *trnL-F* nucleotides of mango accessions showed a high homology (99%). This value was higher than the homology of 14 species of Anacardiaceae family (75%) in the ITS-1 regions of the nuclear genome (Hidayat & Pancoro 2001). The homology of *trnL-F* intergenic spacer sequence in *M. laurina* and their related species was more conservative than that of nuclear DNA and uniparentally inherited. However, nucleotide change could be used to estimate homology patterns of the cpDNA fragment (Raubeson & Jansen 2005). This could also be used to analyze the relationships among progenies and patterns of gene mutation process in chloroplast genomes. Even though, cpDNA was commonly conservative, the diversity of cpDNA was reported occurred in different plant species such as *Fagopyrum cymosum*, *Astragalus* sp., Conifers and different species of Dipterocarpaceae (Tsumura *et al.* 1996; Yamane *et al.* 2003; Liston 2008). Variations in cpDNA sequence was usually caused by mutation of single nucleotide in long period of time. Mutation rate of cpDNA loci was between 3.2×10^{-5} and 7.9×10^{-5} (Provan *et al.* 1999). Although nucleotide change in cpDNA was very little than that of in nuclear genome, it was highly valuable to provide some information to explain the process of evolution.

Based on Neighbor Joining Analysis (Saitou & Nei 1987) (Figure 2), *mangga hiku* (*Mangifera* sp.) had the longest branch and occurred earlier than the others, so that *mangga hiku* could be presumed as a common progenitor of *M. laurina* and each related species. The length of line indicated that the change of cpDNA sequence. Therefore, *mangga hiku*, which is still wild in South East Sulawesi was more primitive than other Indonesian cultivated mangoes.

The clustering pattern of *M. laurina* and their related species based on E-RAPD markers of nuclear DNA (Fitmawati 2006) showed similar pattern with the clustering using *trnL-F* markers, except for *mangga depeh* (*M. aplanata*) which was separated from their related species. On the other hand, the clustering *trnL-F* intergenic spacer differed from that the clustering based on morphological markers, i.e. *mangga Hiku* was located together with *M. laurina*. The diversity pattern of chloroplast markers can be different from that of the morphological markers. Chloroplast was inherited only by the female parent, while

the morphology was descended from both parents and affected by the environment. Therefore clustering Analysis using cpDNA *trnL-F* of six accession i.e. mangga betul (*M. laurina*), 'Depeh' (*M. aplanata*), 'Golek' (*M. indica*), 'Hiku' (*Mangifera* sp.), 'Dodol Ternate' (*M. laurina*), and 'Kiyal' (*M. indica*) did not agree to the clusters of morphological markers reported by Kostermans and Bompard (1993).

The markers of cpDNA *trnL-F* could be used to investigate the phylogenetic relationships of *M. laurina* and their related species. Phylogenetic cluster of cpDNA *trnL-F* markers may be different from those of morphological markers. *M. laurina* and their related species were clustered separately from the outgroup. *Mangga hiku* was presumed as the common progenitor of *M. laurina* and their related species.

REFERENCES

- Alejandro GD, Razafimandimbison SG, Liede-Schumann S. 2005. Polyphyly of *Mussaenda* inferred from ITS and *trnT-F* data and its implications for generic limits in Mussaendeae (Rubiaceae). *Am J Bot* 92:544-557.
- Baldwin BG, Sanderson MJ, Porter JM, Wojewicki MF, Campbell CS, Donoghue MJ. 1995. The ITS region of nuclear ribosomal DNA: a valuable source of evidence an angiosperm phylogeny. *Annu Miss Bot Gard* 82:247-277.
- Barfuss MHJ, Samuel R, Till W, Stuessy TF. 2005. Phylogenetic relationships in subfamily Tillandsioideae (Bromeliaceae) based on DNA sequence data from seven plastid regions. *Am J Bot* 92:337-351.
- Bayer RJB, Puttock CF, Kelchner SA. 2000. Phylogeny of South African Gnaphalioideae (Asteraceae) based on two-coding sequences. *Am J Bot* 87:259-272.
- Chung SM, Gordon VS, Staub JE. 2007. Sequencing cucumber (*Cucumis sativus* L.) chloroplast genomes identifies differences between chilling-tolerant and -susceptible cucumber line. *Genome* 50:215-225.
- Chung SM, Staub JE, Chen JF. 2006. Molecular phylogeny of *Cucumis* species as revealed by consensus chloroplast SSR marker length and sequence variation. *Genome* 49:219-229.
- Doyle JJ, Doyle JL. 1987. A rapid DNA isolation procedure for small quantities of fresh leaf tissue. *Phytochem Bull* 19:11-15.
- Fitmawati. 2006. Tinjauan Jenis *Mangifera laurina* dan kerabat dekatnya. *Floribunda* 3:49-56.
- Hidayat T, Pancoro A. 2001. Studi filogenetika molekuler Anacardiaceae berdasarkan pada variasi urutan daerah internal transcribe spacer. *Hayati* 8:98-101.
- Kajita T, Kamiya K, Nakamura K, Tachida H, Wickneswari R, Tsumura Y, Yoshimaru H, Yamazaki T. 1998. Molecular phylogeny of Dipterocarpaceae in Southeast Asia based on nucleotide sequences of *matK*, *trnL* intron, and *trnL-F* IGS Region in cpDNA. *Mol Phylo Evol* 10:202-209.
- Kochumen KM. 1996. Genus *Mangifera* from Sarawak. In: *Tree Flora of Sabah Sarawak*. Forest Research Institute Serawak: Sabah Forestry Department. p 32-36.
- Kostermans AJGH, Bompard JM. 1993. *The Mangoes Their Botany Nomenclature and Utilization*. IBPGR: Acad Pr.
- Liston A, Parker-Defeniks M, Syring JV, Willyard A, Cronn R. 2008. Interspecific phylogenetic analysis enhances intraspecific phylogeographic inference: A case study in *Pinus lambertiana*. *Mol Ecol* 18:12-30.
- Litz RE. 2004. *Biotechnology of Fruit and Nut Crops*. Biotechnology in Agriculture Series N. 29. Tropical Research and Education Center University of Florida USA. CABI Publishing.
- Provan J, Soranzo N, Wilson NJ, Goldstein DB, Powell W. 1999. A low mutation rate for chloroplast microsatellites. *Genetics* 153:943-947.

- Raubeson LA, Jansen RK. 2005. Chloroplast genomes of plant. In: Henry RJ (ed). *Plant Diversity and Evolution: Genotypic and Phenotypic Variation in Higher Plants*. Massachusetts, Cambridge, USA CABI Publ. p 332.
- Saitou N, Nei M. 1987. The neighbor-joining method: a new method for reconstructing phylogenetic trees. *Mol Biol Evol* 4:406-425.
- Shaw J, Kelchner SA, Lickey EB, Beck JT, Farmer SB, Liu W, Miller J, Siripun KC, Winder CT, Schilling EE, Small RL. 2005. The tortoise and the hare ii: Relative utility of 21 noncoding chloroplast DNA sequences for phylogenetic analysis. *Am J Bot* 92:142-166.
- Small LR, Lickey EB, Shaw J, Hauk WD. 2005. Amplification of non coding chloroplast DNA for phylogenetic studies in Lycophytes and Monilophytes with a comparative example of relative phylogenetic utility from Ophioglossaceae. *Mol Phylo Evol* 36:509-522.
- Swofford DL. 2002. PAUP. *Phylogenetic Analysis Using Parsimony (And Other Methods)*. Version 4. Sinauer Associates, Sunderland, Massachusetts, USA.
- Tsumara Y, Kawahara T, Wickenswari R, Yoshimura K. 1996. Molecular phylogeny of Dipterocarpaceae of conifer using RFLP analysis of PCR-amplified specific chloroplast genes. *Theor Appl Genet* 91:1222-1236.
- Weiguo Z, Yile P, Shihai ZZJ, Xuexia M, Yongping H. 2005. Phylogeny of the Morus (Urticales: Moraceae) inferred from ITS and *trnL-F* sequences. *Af J Biotechnol* 4:563-569.
- Yamane K, Yasui Y, Ohmishi O. 2003. Intraspecific cpDNA variation of diploid and tetraploid perennial buckwheat, *Fagopyrum cymosum* (Poligonaceae). *Am J Bot* 90:339-346.